

Pulse counters, pneumatic

Pneumatic counters **4 and 6 digits with, 8 digits without reset** **PMk14 / PMk16 / PMk18**



The pneumatic totalizers **PMk14**, **PMk16** (with manual reset) and **PMk18** (without reset) boast a robust construction.

They are ideal for use in harsh industrial environments, where the counters are directly driven by compressed air.

Characteristics

- Economical pneumatical totalizers.
- PMk14 and PMk16 with manual reset.
- PMk18 without reset.
- Counting via armature system with membrane.

Benefits

- No leakage.
- Also available with quick connection system.

Applications

Pneumatically operated devices and equipment.

Type series

| Description | reset | 4 digits | 6 digits | 8 digits |
|---|---------|-----------------|-----------------|-----------------|
| Panel mount with front bezel and 2 mounting holes | without | – | – | PMk18.10 |
| | manual | PMk14.11 | PMk16.11 | – |
| Panel mount for clip mounting | without | – | – | PMk18.20 |
| | manual | PMk14.21 | PMk16.21 | – |

Accessories

| Type / size | Description | Order no. |
|------------------------------------|-----------------------|-------------------------|
| 39 x 40 mm [1.54 x 1.58] | suitable for PMk14.11 | 6.0000.1033.0202 |

| Technical data | |
|---|---|
| Pneumatic connections | M5 inner thread, 4 mm [0.16"] deep |
| Air purity | oil free or oil containing, the filter required must eliminate impurities > 40 µm |
| Mounting position | any |
| L-signal | 1.5 ... 8 bar ±15 % |
| O-signal | ≤ 0.15 bar |
| Max. safe pressure | 9 bar (static) |
| Max. pulse frequency | at 1.5 bar 50 Hz at 2.5 bar 25 Hz at 6 bar 10 Hz at 8 bar 5 Hz depends on hose length |
| Pulse ratio | 1:1 at max. pulse frequency, depending on the control |
| Max. Hose length (transmitter - counter, 1.5 bar) | at 50 Hz 0.3 m [11.81"] at 25 Hz 0.4 m [15.75"] at 10 Hz 0.5 m [19.67"] |
| Height of figures | 4 mm [0.16"] |
| Color of figures | white on black |

| Technical data | |
|------------------------------|---|
| Connection volume | 0.19 m³ |
| Operating temperature | -10 °C ... +60 °C [+14 °F ... +140 °F] (non-condensing) |
| Protection | with reset IP40 (front side) without reset IP41 (front side) |

| Options | |
|--|---|
| Connector for polyamide hose | ø 4 x ø 6 mm [0.16 x 0.24"] Art. no.: 3.XXX.XXX.063 |
| Quick connection for tube outside diameter 4 mm | QSM-M5-4 N140620 Art. no.: 3.XXX.XXX.064 |

| Approvals | |
|--|------------|
| CE compliant in accordance with RoHS Directive | 2011/65/EU |

Pulse counters, pneumatic

Pneumatic counters

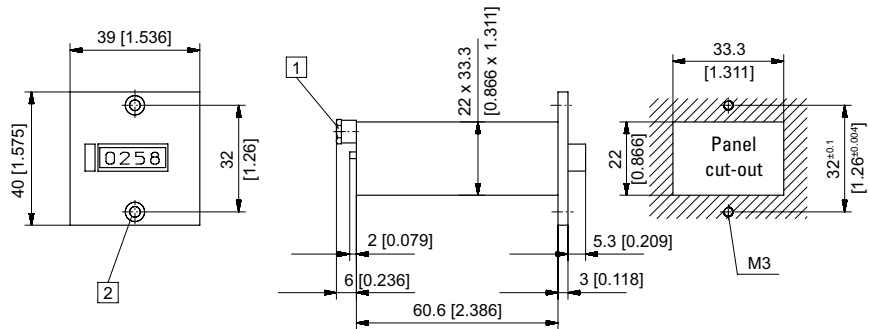
4 and 6 digits with, 8 digits without reset

PMk14 / PMk16 / PMk18

Panel mount with front bezel and 2 mounting holes

4 digits, manual reset

Type PMk14.11



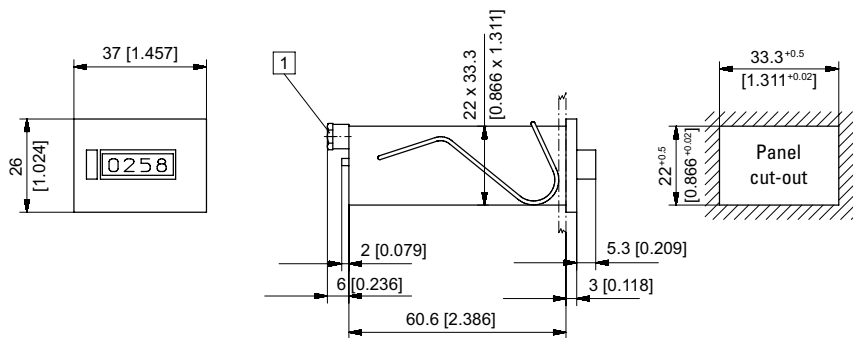
1 Inner thread M5, 4 [0.16] deep 2 Countersinking Af3 DIN 74

| Type | Display | Color of housing / Art. no. | |
|----------|------------------------|-----------------------------|-----------|
| | | grey | black |
| PMk14.11 | 4 digits, manual reset | 3.802.110 | 3.802.111 |

Panel mount for clip mounting

4 digits, manual reset

Type PMk14.21



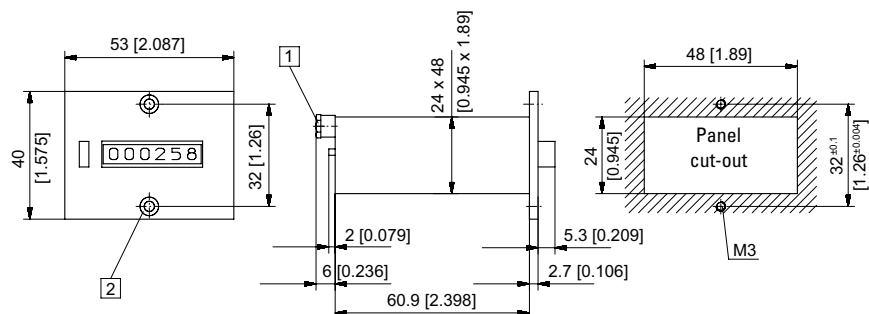
1 Inner thread M5, 4 [0.16] deep

| Type | Display | Color of housing / Art. no. | |
|----------|------------------------|-----------------------------|-----------|
| | | grey | black |
| PMk14.21 | 4 digits, manual reset | 3.802.210 | 3.802.211 |

Panel mount with front bezel and 2 mounting holes

6 digits, manual reset

Type PMk16.11



1 Inner thread M5, 4 [0.16] deep 2 Countersinking Af3 DIN 74

| Type | Display | Color of housing / Art. no. | |
|----------|------------------------|-----------------------------|-----------|
| | | grey | black |
| PMk16.11 | 6 digits, manual reset | 3.804.110 | 3.804.111 |

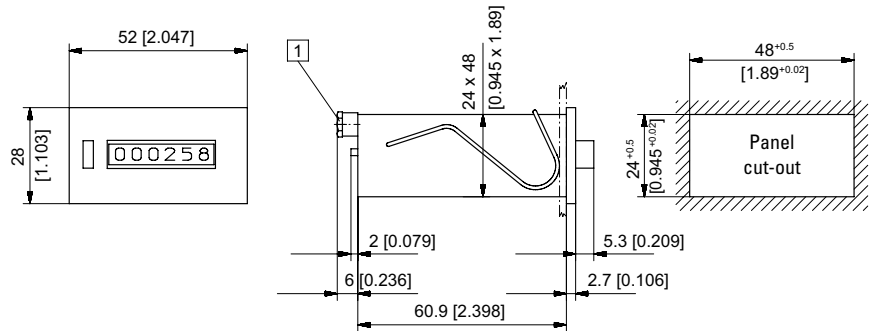
Dimensions in mm [inch]

Pulse counters, pneumatic

Pneumatic counters **4 and 6 digits with, 8 digits without reset** **PMk14 / PMk16 / PMk18**

Panel mount for clip mounting
6 digits, manual reset

Type PMk16.21



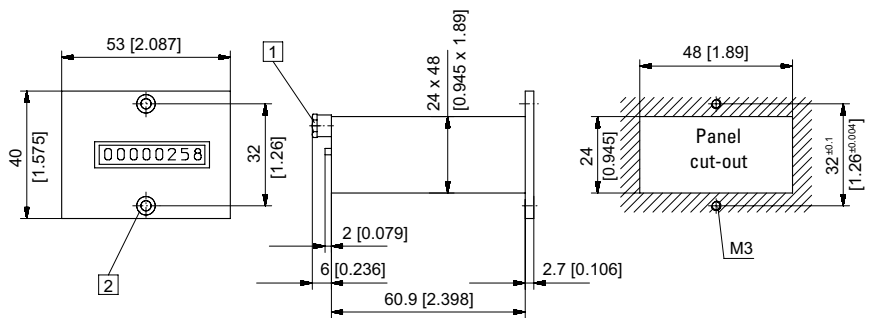
1 Inner thread M5, 4 [0.16] deep

| Type | Display | Color of housing / Art. no. | |
|----------|------------------------|-----------------------------|-----------|
| | | grey | black |
| PMk16.21 | 6 digits, manual reset | 3.804.210 | 3.804.211 |

Panel mount with front bezel and 2 mounting holes

8 digits, without reset

Type PMk18.10



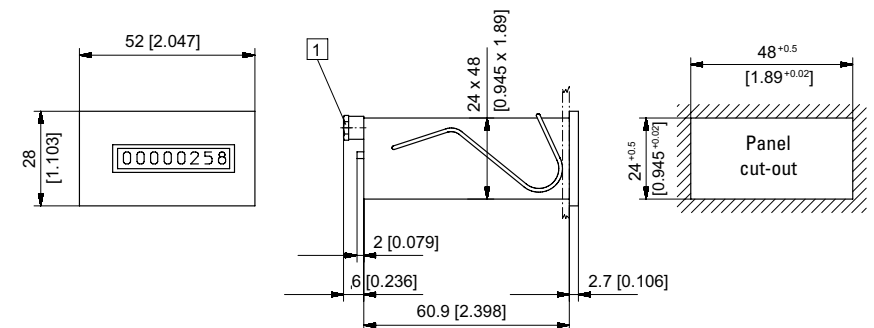
1 Inner thread M5, 4 [0.16] deep 2 Countersinking A3 DIN 74

| Type | Display | Color of housing / Art. no. | |
|----------|-------------------------|-----------------------------|-----------|
| | | grey | black |
| PMk18.10 | 8 digits, without reset | 3.805.100 | 3.805.101 |

Panel mount for clip mounting

8 digits, without reset

Type PMk18.20



1 Inner thread M5, 4 [0.16] deep

| Type | Display | Color of housing / Art. no. | |
|----------|-------------------------|-----------------------------|-----------|
| | | grey | black |
| PMk18.20 | 8 digits, without reset | 3.805.200 | 3.805.201 |

Dimensions in mm [inch]