

# Hour meters / timers, electromechanical

<b>Micro timers</b>	<b>High shock resistance (DC)</b>	<b>HK47</b>
---------------------	-----------------------------------	-------------



The micro timers HK47 have a very high shock resistance.

Available as panel and PCB mount versions, they can be used in many different fields of application. Thanks to their encapsulated housing, these non-resettable counters are extremely tamper-proof.



## Characteristics

- 7-digit micro hour meter.
- Low cost.
- High shock resistance.
- Small dimensions.
- Magnified large figures.
- Different reading possibilities.
- Panel-mount counter with integrated spring clip (HK47.20).
- PCB mount counter (HK47.80).

## Benefits

- Low power consumption; suitable for battery operation.
- Solderable and wash-proof (HK47.80).
- Data retention in case of power failure.
- Long service life.

## Applications

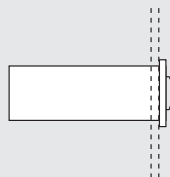
Time registration, maintenance intervals for measuring instruments (respiration units, oxygen, dialysis), small appliances, UV lamps, display panels.

## Type series

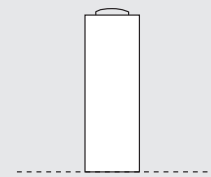
Fig.	Mounting options	Display	Protection	El. connection	Type
1)	Panel mount with latch	front side	IP65, front side	flying leads	<b>HK47.20</b>
2)	PCB mount, upright	front side	IP65, front side/on rear	solder pins	<b>HK47.80</b>

## Mounting options and position of the display

1) Panel mount  
display front side



2) PCB mount, upright  
display front side

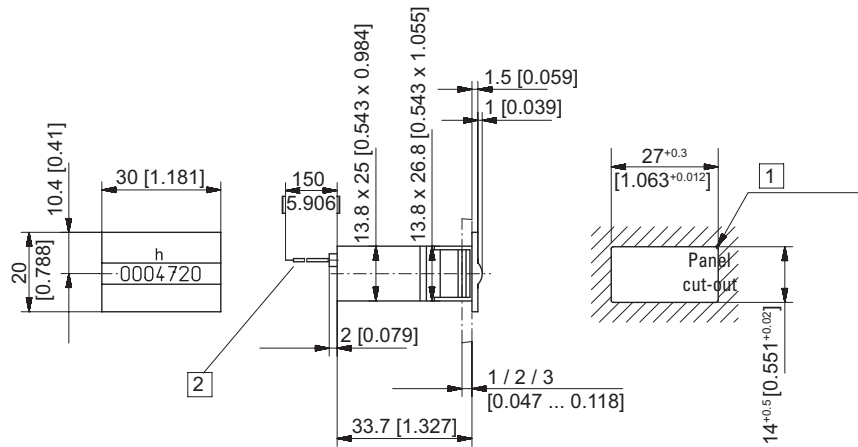




# Hour meters / timers, electromechanical

<b>Micro timers</b>	<b>High shock resistance (DC)</b>	<b>HK47</b>
---------------------	-----------------------------------	-------------

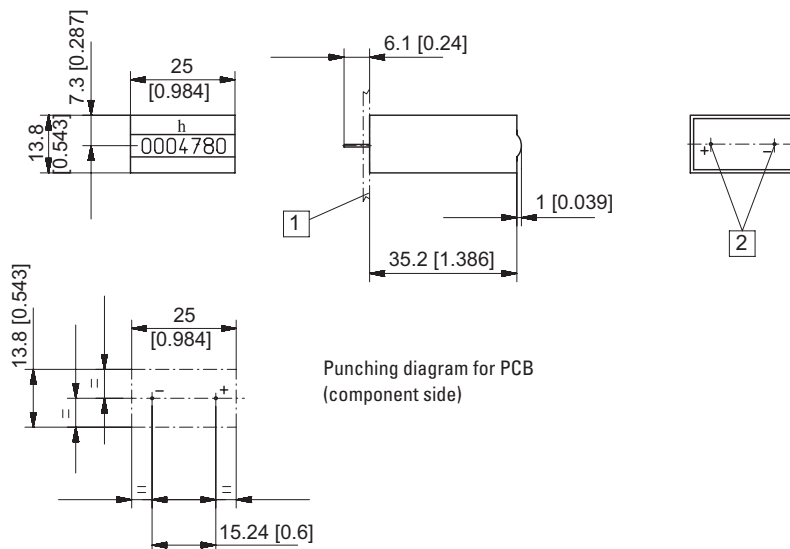
**Panel mount  
with injection-moulded spring-clips  
Type HK47.20**



1)  $R_{max}$  0.5    2) Flying leads AWG 22 (red+ / black-)

Type	Display	Art. no.
HK47.20	99999.99 h	4.5 ... 35 V DC 3.060.200.383

**PCB mount  
Type HK47.80**



Punching diagram for PCB  
(component side)

1) PCB    2) Solder pins  $\varnothing$  0.64 [0.025]

Type	Display	Art. no.
HK47.80	99999.99 h	4.5 ... 35 V DC 3.060.800.383