

Hour meters / timers, electromechanical

Timers with DIN dimensions **Small format (AC+DC)** **HK17**



The hour meters HK17 feature a very high shock resistance. These panel-mount counters are available in many panel sizes. They can be used in many different fields of application. These non-resettable counters are extremely tamper-proof.

Characteristics

- 7 or 8-digit hour meter.
- Without reset.
- High shock resistance.
- Small dimensions.
- Magnified large figures.
- Protection IP65 on the front side.
- UL-approved.

Benefits

- Many different front panel sizes and cut-outs.
- Data retention in case of power failure.
- Long service life.

Applications

General time measurement, maintenance intervals for medical equipment (respiration units, oxygen, dialysis), small appliances, UV lamps, display panels in vehicles.

Type series

Description	Mounting	Front panel	Panel cut-out	Type
Standard DIN counter for panel mount	Small front bezel with mounting clip	37 x 26 mm [1.45 x 1.02"]	33 x 22 mm [1.29 x 0.86"]	HK17.251.39
Standard DIN counter for panel mount	Without front bezel with mounting clip	36 x 24 mm [1.41 x 0.94"]	33 x 22 mm [1.29 x 0.86"]	HK17.051.39.56
Standard DIN counter for base mount	Without front bezel with central fixing on rear	33 x 22 mm [1.29 x 0.86"]	33 x 22 mm [1.29 x 0.86"]	HK17.051.39
Standard DIN counter for panel mount	Front bezel with holes at the side	44 x 26 mm [1.74 x 1.02"]	33 x 22 mm [1.29 x 0.86"]	HK17.451.39

Selection of order codes from page 3



HK17.251.39



HK17.051.39.56



HK17.051.39



HK17.451.39

Accessories

	Type / size	Description	Order no.
Gasket counter	55 x 26 mm [2.16 x 1.02]	for HK17.451	6.0000.1213.0202
	36 x 24 mm [1.42 x 0.94]	for HK17.251.39.56	6.0000.1022.0202

Hour meters / timers, electromechanical

Timers with DIN dimensions	Small format (AC+DC)	HK17
-----------------------------------	-----------------------------	-------------

Technical data																	
Electrical connection	flat pins 0.8 x 6.3 mm [0.031 x 0.25"] with screw terminals (max. tightening torque 0.8 Nm) or flat pins 0.8 x 6.3 mm [0.031 x 0.25"]																
Power consumption	<table style="width: 100%; border-collapse: collapse;"> <tr> <td style="width: 15%;">10 ... 30 V DC</td> <td>approx. 500 mW</td> </tr> <tr> <td>36 ... 80 V DC</td> <td>approx. 900 mW</td> </tr> <tr> <td>100 ... 130 V DC</td> <td>approx. 750 mW</td> </tr> <tr> <td>20 ... 30 V AC, 50 Hz</td> <td>approx. 0.3 VA</td> </tr> <tr> <td>42 ... 48 V AC, 50 Hz</td> <td>approx. 0.25 VA</td> </tr> <tr> <td>100 ... 130 V AC, 50 Hz</td> <td>approx. 0.6 VA</td> </tr> <tr> <td>187 ... 264 V AC, 50 Hz</td> <td>approx. 1.2 VA</td> </tr> <tr> <td>360 ... 440 V AC, 50 Hz</td> <td>approx. 1.65 VA</td> </tr> </table>	10 ... 30 V DC	approx. 500 mW	36 ... 80 V DC	approx. 900 mW	100 ... 130 V DC	approx. 750 mW	20 ... 30 V AC, 50 Hz	approx. 0.3 VA	42 ... 48 V AC, 50 Hz	approx. 0.25 VA	100 ... 130 V AC, 50 Hz	approx. 0.6 VA	187 ... 264 V AC, 50 Hz	approx. 1.2 VA	360 ... 440 V AC, 50 Hz	approx. 1.65 VA
10 ... 30 V DC	approx. 500 mW																
36 ... 80 V DC	approx. 900 mW																
100 ... 130 V DC	approx. 750 mW																
20 ... 30 V AC, 50 Hz	approx. 0.3 VA																
42 ... 48 V AC, 50 Hz	approx. 0.25 VA																
100 ... 130 V AC, 50 Hz	approx. 0.6 VA																
187 ... 264 V AC, 50 Hz	approx. 1.2 VA																
360 ... 440 V AC, 50 Hz	approx. 1.65 VA																
Rated voltages	<table style="width: 100%; border-collapse: collapse;"> <tr> <td style="width: 15%;">AC (50 or 60 Hz)</td> <td>20 ... 30 V, 42 ... 48 V, 100 ... 130 V, 187 ... 264 V, 360 ... 440 V</td> </tr> <tr> <td>DC</td> <td>10 ... 30 V, 36 ... 80 V, 100 ... 130 V</td> </tr> </table>	AC (50 or 60 Hz)	20 ... 30 V, 42 ... 48 V, 100 ... 130 V, 187 ... 264 V, 360 ... 440 V	DC	10 ... 30 V, 36 ... 80 V, 100 ... 130 V												
AC (50 or 60 Hz)	20 ... 30 V, 42 ... 48 V, 100 ... 130 V, 187 ... 264 V, 360 ... 440 V																
DC	10 ... 30 V, 36 ... 80 V, 100 ... 130 V																
Number of digits	<table style="width: 100%; border-collapse: collapse;"> <tr> <td style="width: 15%;">7 at AC</td> <td>99999.99 h</td> </tr> <tr> <td>8 at DC</td> <td>999999.99 h</td> </tr> </table>	7 at AC	99999.99 h	8 at DC	999999.99 h												
7 at AC	99999.99 h																
8 at DC	999999.99 h																
Accuracy	<table style="width: 100%; border-collapse: collapse;"> <tr> <td style="width: 15%;">AC</td> <td>supply frequency + 30 ms</td> </tr> <tr> <td>DC</td> <td><0.003 % (at 24 h)</td> </tr> </table>	AC	supply frequency + 30 ms	DC	<0.003 % (at 24 h)												
AC	supply frequency + 30 ms																
DC	<0.003 % (at 24 h)																
Height of figures	3.8 x 1.7 mm [0.15 x 0.067"] optical																
Color of figures	white and red on black																
Operating temperature	-15 °C ... +50 °C [+5 °F ... +122 °F] (non-condensing)																
Storage temperature	-40 °C ... +85 °C [-40 °F ... +185 °F]																
Relative humidity at +30 °C [+86 °F]	≤ 80 % (non-condensing)																
Altitude	up to 2000 m [6562']																
Mounting position	any																
Protection	IP65 (front side)																
Device safety	<table style="width: 100%; border-collapse: collapse;"> <tr> <td style="width: 15%;">designed to</td> <td>EN 61010 part 1</td> </tr> <tr> <td>protection class</td> <td>2</td> </tr> <tr> <td>application area</td> <td>pollution level 2</td> </tr> </table>	designed to	EN 61010 part 1	protection class	2	application area	pollution level 2										
designed to	EN 61010 part 1																
protection class	2																
application area	pollution level 2																
Housing	plastic PC (Polycarbonate) types with protection IP65 are sealed																
Weight	approx. 40 g [1.41 oz]																

Options	
Counter with flat pin 0.8 x 6.3 mm [0.031 x 0.25"]	Art. no. 3.138.X51.XXX

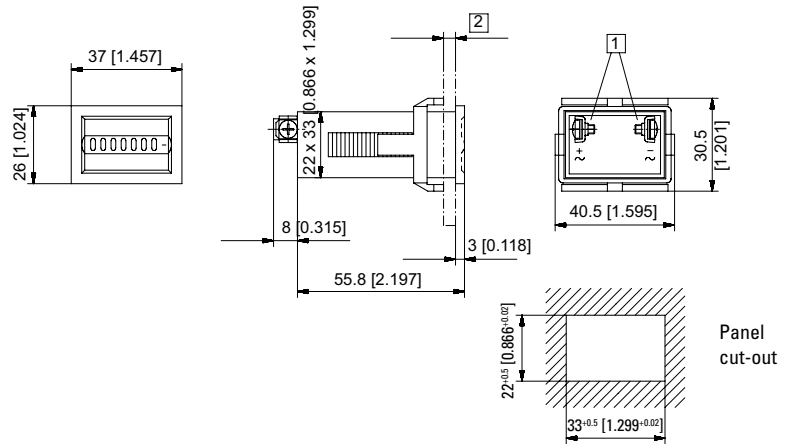
Approvals	
UL compliant in accordance with	File no. E128604 ¹⁾
CE compliant in accordance with	
EMC Directive	2014/30/EU
RoHS Directive	2011/65/EU
Low Voltage Directive	2014/35/EU

1) The version 360 ... 440 V AC is not UL listed

Hour meters / timers, electromechanical

Timers with DIN dimensions **Small format (AC+DC)** **HK17**

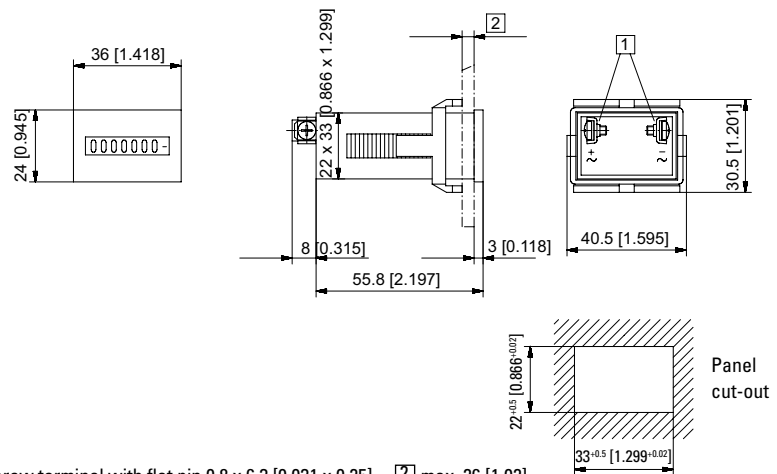
Panel mount with mounting clip
Type HK17.251.39



1) Screw terminal with flat pin 0.8 x 6.3 [0.031 x 0.25] 2) max. 26 [1.02]

Type	Display	Voltage	Art. no.						
			10 ... 30 V	20 ... 30 V	36 ... 80 V	42 ... 48 V	100 ... 130 V	187 ... 264 V	360 ... 440 V
HK17.251.39	7 digits	AC (50 Hz)		3.130.251.071		3.130.251.072	3.130.251.074	3.130.251.075 ¹⁾	3.130.251.079
	7 digits	AC (60 Hz)		3.130.251.081		3.130.251.082	3.130.251.084	3.130.251.085	3.130.251.089
	8 digits	DC	3.130.251.351		3.130.251.353		3.130.251.381		

Panel mount with mounting clips
Type HK17.251.39.56



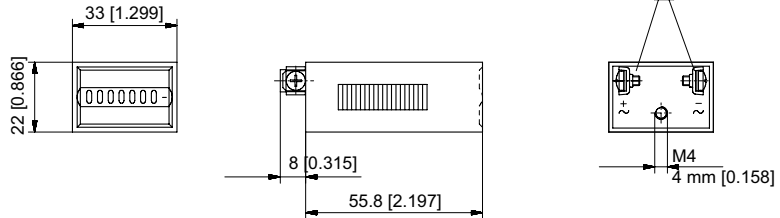
1) Screw terminal with flat pin 0.8 x 6.3 [0.031 x 0.25] 2) max. 26 [1.02]

Type	Display	Voltage	Art. no.						
			10 ... 30 V	20 ... 30 V	36 ... 80 V	42 ... 48 V	100 ... 130 V	187 ... 264 V	360 ... 440 V
HK17.251.39.56	7 digits	AC (50 Hz)		3.130.251.071.056		3.130.251.072.056	3.130.251.074.056	3.130.251.075.056 ¹⁾	3.130.251.079.056
	7 digits	AC (60 Hz)		3.130.251.081.056		3.130.251.082.056	3.130.251.084.056	3.130.251.085.056	3.130.251.089.056
	8 digits	DC	3.130.251.351.056		3.130.251.353.056		3.130.251.381.056		

Hour meters / timers, electromechanical

Timers with DIN dimensions **Small format (AC+DC)** **HK17**

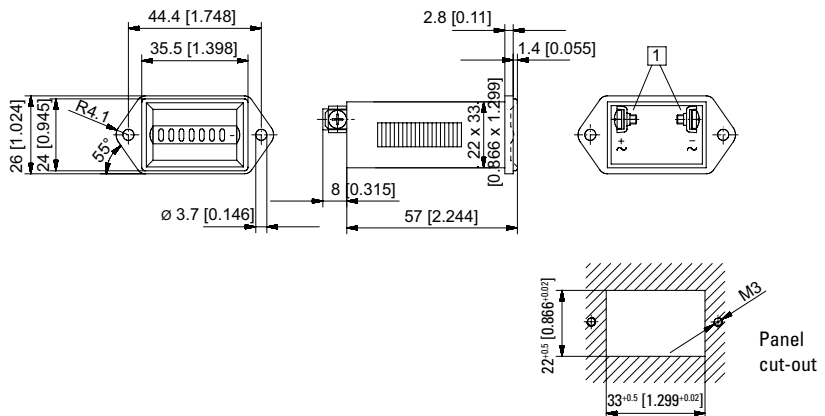
Base mount with central fixing on rear
 Type HK17.051.39



1 Screw terminal with flat pin 0.8 x 6.3 [0.031 x 0.25]

Type	Display	Voltage	Art. no.						
			10 ... 30 V	20 ... 30 V	36 ... 80 V	42 ... 48 V	100 ... 130 V	187 ... 264 V	360 ... 440 V
HK17.051.39	7 digits	AC (50 Hz)		3.130.051.071		3.130.051.072	3.130.051.074	3.130.051.075	3.130.051.079
	7 digits	AC (60 Hz)		3.130.051.081		3.130.051.082	3.130.051.084	3.130.051.085	3.130.051.089
	8 digits	DC	3.130.051.351		3.130.051.353		3.130.051.381		

Panel mount with 2 holes at the side
 Type HK17.451.39



1 Screw terminal with flat pin 0.8 x 6.3 [0.031 x 0.25]

Type	Display	Voltage	Art. no.						
			10 ... 30 V	20 ... 30 V	36 ... 80 V	42 ... 48 V	100 ... 130 V	187 ... 264 V	360 ... 440 V
HK17.451.39	7 digits	AC (50 Hz)		3.130.451.071		3.130.451.072	3.130.451.074	3.130.451.075	3.130.451.079
	7 digits	AC (60 Hz)		3.130.451.081		3.130.451.082	3.130.451.084	3.130.451.085	3.130.451.089
	8 digits	DC	3.130.451.351		3.130.451.353		3.130.451.381		