

# Hour meters / timers, electromechanical

**Timers with DIN dimensions**    **DIN counter for panel mount / DIN rail housing, 48 x 48 mm**    **H57 / H57R / AH57**



The hour meters H57, H57.55, H57.72, H57R and AH57 feature a very high shock resistance. These panel / DIN rail mount counters have a reduced mounting depth. They can be used in many different fields of application. These non-resettable counters are extremely tamper-proof.



## Characteristics

- 7 or 8-digit hour meter.
- High shock and impact resistance.
- Without reset, small mounting depth.
- Magnified large figures.
- Protection IP52 (optional IP65), suitable for any mounting position.
- UL-approved.
- Various front bezel sizes
  - H57        48 x 48 mm
  - H57.55    55 x 55 mm
  - H57.72    72 x 72 mm
  - H57R      ø 58 mm
  - AH57     48 x 48 mm for DIN rail

## Benefits

- 5 years guarantee. <sup>1)</sup>
- High reliability: for a better sale of your final product.
- Data retention in case of power failure.
- Long service life.

## Applications

General time measurement, maintenance intervals for measuring instruments (respiration units, oxygen, dialysis), small appliances, UV lamps, display panels in vehicles

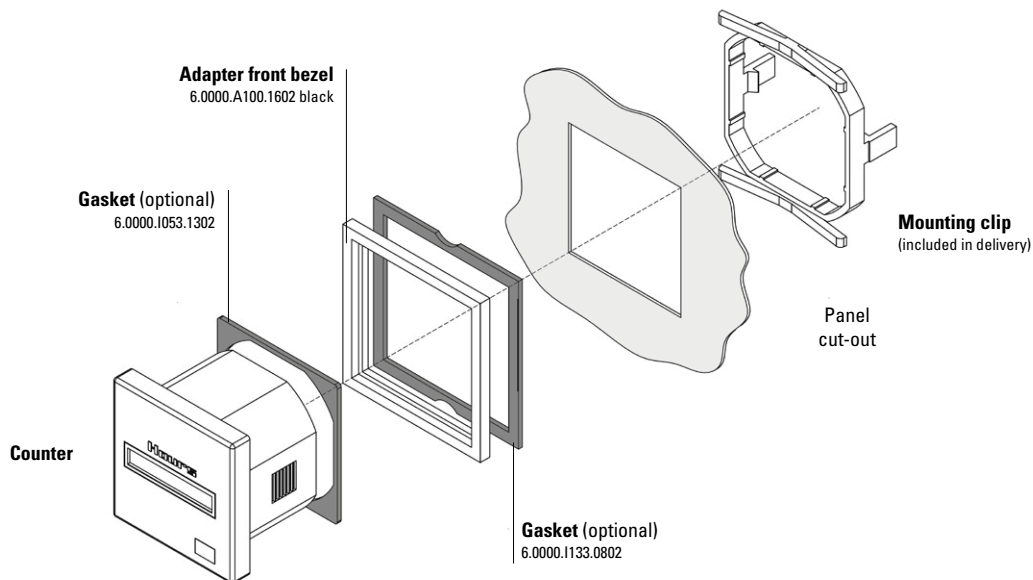
Type series			
Description	Mounting	Front bezel	Type
Standard DIN timer	clip mounting, on rear	48 x 48 mm [1.89 x 1.89"]	<b>H57</b>
Standard DIN timer	clip mounting, on rear	55 x 55 mm [1.97 x 1.97"]	<b>H57.55</b>
Standard DIN timer	clip mounting, on rear	72 x 72 mm [2.83 x 2.83"]	<b>H57.72</b>
Round timer	clip mounting, on rear	ø 58 mm	<b>H57R</b>
Base mount timer	DIN rail 35 mm [1.38"] acc. to DIN EN 50022		<b>AH57</b>

1) When used as specified in the technical data

# Hour meters / timers, electromechanical

**Timers with DIN dimensions**    **DIN counter for panel mount / DIN rail housing, 48 x 48 mm**    **H57 / H57R / AH57**

**Accessories / Mounting examples**



		Type / size	Description		Order no.	suitable gasket
<b>Adapter front bezel</b>		<b>55 x 55 mm</b> <b>[2.17 x 2.17]</b>	for cut-out 50 x 50 mm [1.97 x 1.97"] or $\varnothing$ 50,5 mm [1.99"] to cut-out 45 x 45 mm [1.77 x 1.77"]	grey black	<b>6.0000.A100.1601</b> <b>6.0000.A100.0602</b>	<b>6.0000.I104.1402</b>
		<b>55 x 55 mm</b> <b>[2.17 x 2.17]</b>	for cut-out 50 x 50 mm [1.97 x 1.97"] to cut-out 45 x 45 mm [1.77 x 1.77"]	black	<b>6.0000.A100.1602</b>	<b>6.0000.I133.0802</b>
		<b>60 x 75 mm</b> <b>[2.36 x 2.95]</b>	for cut-out 50 x 50 mm [1.97 x 1.97"] to cut-out 45 x 45 mm [1.77 x 1.77"]	black	<b>6.0000.A150.0602</b>	<b>6.0000.I154.1602</b>
		<b>72 x 72 mm</b> <b>[2.83 x 2.83]</b>	for cut-out 68 x 68 mm [2.68 x 2.68"] to cut-out 45 x 45 mm [1.77 x 1.77"]	grey black Mating clip	<b>6.0000.A160.1901</b> <b>6.0000.A160.1902</b> <b>6.0000.S100.0002</b>	<b>6.0000.I164.1402</b>
		<b><math>\varnothing</math> 72 mm</b> <b>[2.83]</b>	for cut-out $\varnothing$ 60 mm [2.36"] to cut-out 45 x 45 mm [1.77 x 1.77"]	black	<b>6.0000.A220.2002</b>	–
<b>Gasket counter</b>			48 x 48 mm (for installation in adapter front bezel)		<b>6.0000.I053.1302</b>	
<b>Mounting frame</b>		<b>cut-out</b> <b>50 x 50 mm</b> <b>[2.36 x 2.36]</b>	for snap-on mounting on 35 mm [1.38"] top-hat DIN rail (includes adapter front bezel 55 x 55 mm)	chromated	<b>6.0000.F200.0006</b>	
<b>Base mount socket</b>				black	<b>6.0000.S020.0002</b>	

# Hour meters / timers, electromechanical

## Timers with DIN dimensions    DIN counter for panel mount / DIN rail housing, 48 x 48 mm    H57 / H57R / AH57

Technical data															
<b>Electrical connection</b>	screw terminals (tightening torque max. 0.8 Nm) wire entry from behind, for $\varnothing$ 2.5 mm <sup>2</sup> [AWG13]														
<b>Power consumption</b>	<table border="0"> <tr> <td>10 ... 30 V DC</td> <td>approx. 500 mW</td> </tr> <tr> <td>100 ... 130 V DC</td> <td>approx. 750 mW</td> </tr> <tr> <td>20 ... 30 V AC, 50 Hz</td> <td>approx. 0.3 VA</td> </tr> <tr> <td>42 ... 48 V AC, 50 Hz</td> <td>approx. 0.25 VA</td> </tr> <tr> <td>100 ... 130 V AC, 50 Hz</td> <td>approx. 0.6 VA</td> </tr> <tr> <td>187 ... 264 V AC, 50 Hz</td> <td>approx. 1.2 VA</td> </tr> <tr> <td>360 ... 440 V AC, 50 Hz</td> <td>approx. 1.65 VA</td> </tr> </table>	10 ... 30 V DC	approx. 500 mW	100 ... 130 V DC	approx. 750 mW	20 ... 30 V AC, 50 Hz	approx. 0.3 VA	42 ... 48 V AC, 50 Hz	approx. 0.25 VA	100 ... 130 V AC, 50 Hz	approx. 0.6 VA	187 ... 264 V AC, 50 Hz	approx. 1.2 VA	360 ... 440 V AC, 50 Hz	approx. 1.65 VA
10 ... 30 V DC	approx. 500 mW														
100 ... 130 V DC	approx. 750 mW														
20 ... 30 V AC, 50 Hz	approx. 0.3 VA														
42 ... 48 V AC, 50 Hz	approx. 0.25 VA														
100 ... 130 V AC, 50 Hz	approx. 0.6 VA														
187 ... 264 V AC, 50 Hz	approx. 1.2 VA														
360 ... 440 V AC, 50 Hz	approx. 1.65 VA														
<b>Rated voltages</b>	<table border="0"> <tr> <td>AC (50 or 60 Hz)</td> <td>20 ... 30 V, 42 ... 48 V, 100 ... 130 V, 187 ... 264 V, 360 ... 440 V</td> </tr> <tr> <td>DC</td> <td>10 ... 30 V, 36 ... 80 V, 100 ... 130 V</td> </tr> </table>	AC (50 or 60 Hz)	20 ... 30 V, 42 ... 48 V, 100 ... 130 V, 187 ... 264 V, 360 ... 440 V	DC	10 ... 30 V, 36 ... 80 V, 100 ... 130 V										
AC (50 or 60 Hz)	20 ... 30 V, 42 ... 48 V, 100 ... 130 V, 187 ... 264 V, 360 ... 440 V														
DC	10 ... 30 V, 36 ... 80 V, 100 ... 130 V														
<b>On time</b>	100 %														
<b>Number of digits</b>	<table border="0"> <tr> <td>7 at AC</td> <td>99999.99 h</td> </tr> <tr> <td>8 at DC</td> <td>999999.99 h</td> </tr> </table>	7 at AC	99999.99 h	8 at DC	999999.99 h										
7 at AC	99999.99 h														
8 at DC	999999.99 h														
<b>Count mode</b>	adding														
<b>Height of figures</b>	4 mm [0.16"]														
<b>Color of figures</b>	white and red on black														
<b>Operating temperature</b>	<table border="0"> <tr> <td>AC</td> <td>-25 °C ... +80 °C [-13 °F ... +176 °F] (non-condensing)</td> </tr> <tr> <td>DC</td> <td>-20 °C ... +70 °C [-4 °F ... +158 °F] (non-condensing)</td> </tr> </table>	AC	-25 °C ... +80 °C [-13 °F ... +176 °F] (non-condensing)	DC	-20 °C ... +70 °C [-4 °F ... +158 °F] (non-condensing)										
AC	-25 °C ... +80 °C [-13 °F ... +176 °F] (non-condensing)														
DC	-20 °C ... +70 °C [-4 °F ... +158 °F] (non-condensing)														
<b>Storage temperature</b>	-40 °C ... +85 °C [-40 °F ... +185 °F]														
<b>Relative humidity at +30 °C [+86 °F]</b>	≤ 80 % (non-condensing)														
<b>Altitude</b>	up to 2000 m [6562']														
<b>Mounting position</b>	any														
<b>Protection</b>	<table border="0"> <tr> <td>H57 / AH57</td> <td>IP52, DIN 40050 (front side) optional IP65</td> </tr> <tr> <td>H57R</td> <td>IP65, DIN 40050 (front side)</td> </tr> </table>	H57 / AH57	IP52, DIN 40050 (front side) optional IP65	H57R	IP65, DIN 40050 (front side)										
H57 / AH57	IP52, DIN 40050 (front side) optional IP65														
H57R	IP65, DIN 40050 (front side)														
<b>Device safety</b>	<table border="0"> <tr> <td>designed to</td> <td>EN 61010 part 1</td> </tr> <tr> <td>protection class</td> <td>2</td> </tr> <tr> <td>application area</td> <td>pollution level 2</td> </tr> </table>	designed to	EN 61010 part 1	protection class	2	application area	pollution level 2								
designed to	EN 61010 part 1														
protection class	2														
application area	pollution level 2														
<b>Housing</b>	plastic PC (Polycarbonate)														
<b>Accuracy</b>	<table border="0"> <tr> <td>AC</td> <td>supply frequency + 30 ms</td> </tr> <tr> <td>DC</td> <td>&lt; 0.003 % (at 24 h)</td> </tr> </table>	AC	supply frequency + 30 ms	DC	< 0.003 % (at 24 h)										
AC	supply frequency + 30 ms														
DC	< 0.003 % (at 24 h)														
<b>Weight</b>	<table border="0"> <tr> <td>H57</td> <td>approx. 48 g [1.69 oz]</td> </tr> <tr> <td>base mount socket no. 48</td> <td>36 g [1.27 oz]</td> </tr> <tr> <td>slip-on bezel 55</td> <td>8 g [0.28 oz]</td> </tr> <tr> <td>slip-on bezel 72</td> <td>13 g [0.46 oz]</td> </tr> </table>	H57	approx. 48 g [1.69 oz]	base mount socket no. 48	36 g [1.27 oz]	slip-on bezel 55	8 g [0.28 oz]	slip-on bezel 72	13 g [0.46 oz]						
H57	approx. 48 g [1.69 oz]														
base mount socket no. 48	36 g [1.27 oz]														
slip-on bezel 55	8 g [0.28 oz]														
slip-on bezel 72	13 g [0.46 oz]														
<b>Operating indicator of the running time meter</b>	<table border="0"> <tr> <td>AC</td> <td>fast rotating wheel with red dashes</td> </tr> <tr> <td>DC</td> <td>1/100 h display turns continuously by 1 digit in 36 s</td> </tr> </table>	AC	fast rotating wheel with red dashes	DC	1/100 h display turns continuously by 1 digit in 36 s										
AC	fast rotating wheel with red dashes														
DC	1/100 h display turns continuously by 1 digit in 36 s														
<b>Test voltage</b>	2000 V AC, 50 Hz for AC counters														

Options							
<b>Housing color</b>	<table border="0"> <tr> <td>black</td> <td>standard</td> </tr> <tr> <td>grey (only for H57, AH57)</td> <td>Order code: 3.22X.400.XXX</td> </tr> </table>	black	standard	grey (only for H57, AH57)	Order code: 3.22X.400.XXX		
black	standard						
grey (only for H57, AH57)	Order code: 3.22X.400.XXX						
<b>Timer H57.55 mounted with adapter front bezel 55 x 55 mm [2.17 x 2.17"]</b>	Order code: 3.221.XXX.XXX						
<b>Timer H57.72 mounted with adapter front bezel 72 x 72 mm [2.83 x 2.83"]</b>	Order code: 3.222.XXX.XXX						
(For a cut-out size of 68 x 68 mm, a counterholder 6.0000.S100.0002 is also required.)							
<b>Electrical connection</b>	flat pin 0.8 x 6.3 mm [0.031 x 0.25"]    Order code: 3.22X.80X.XXX						
<b>IP65 version, on the front side</b>	Order code:						
Cover heat-sealed	<table border="0"> <tr> <td>H57</td> <td>3.220.XXX.XXX.422</td> </tr> <tr> <td>H57.55</td> <td>3.221.XXX.XXX.423</td> </tr> <tr> <td>H57.72</td> <td>3.222.XXX.XXX.424</td> </tr> </table>	H57	3.220.XXX.XXX.422	H57.55	3.221.XXX.XXX.423	H57.72	3.222.XXX.XXX.424
H57	3.220.XXX.XXX.422						
H57.55	3.221.XXX.XXX.423						
H57.72	3.222.XXX.XXX.424						
<b>Gaskets</b>	between the counter and the bezel						
	H57    6.0000.1053.1302						
<b>Gasket set</b>	<table border="0"> <tr> <td>H57.55</td> <td>6.0000.1053.1302 + 6.0000.1104.1402</td> </tr> <tr> <td>H57.72</td> <td>6.0000.1053.1302 + 6.0000.1164.1402</td> </tr> </table>	H57.55	6.0000.1053.1302 + 6.0000.1104.1402	H57.72	6.0000.1053.1302 + 6.0000.1164.1402		
H57.55	6.0000.1053.1302 + 6.0000.1104.1402						
H57.72	6.0000.1053.1302 + 6.0000.1164.1402						
(Included with the IP65 versions)							
Further voltages on request							
Counter with cable inlet from underneath, screw fixing from rear Order code: 3.220.401.XXX.044							

Approvals	
<b>UL compliant</b> in accordance with	File no. E128604 <sup>1)</sup>
<b>CE compliant</b> in accordance with	
EMC Directive	2014/30/EU
RoHS Directive	2011/65/EU
Low Voltage Directive	2014/35/EU

1) The version 360 ... 440 V AC is not UL listed.

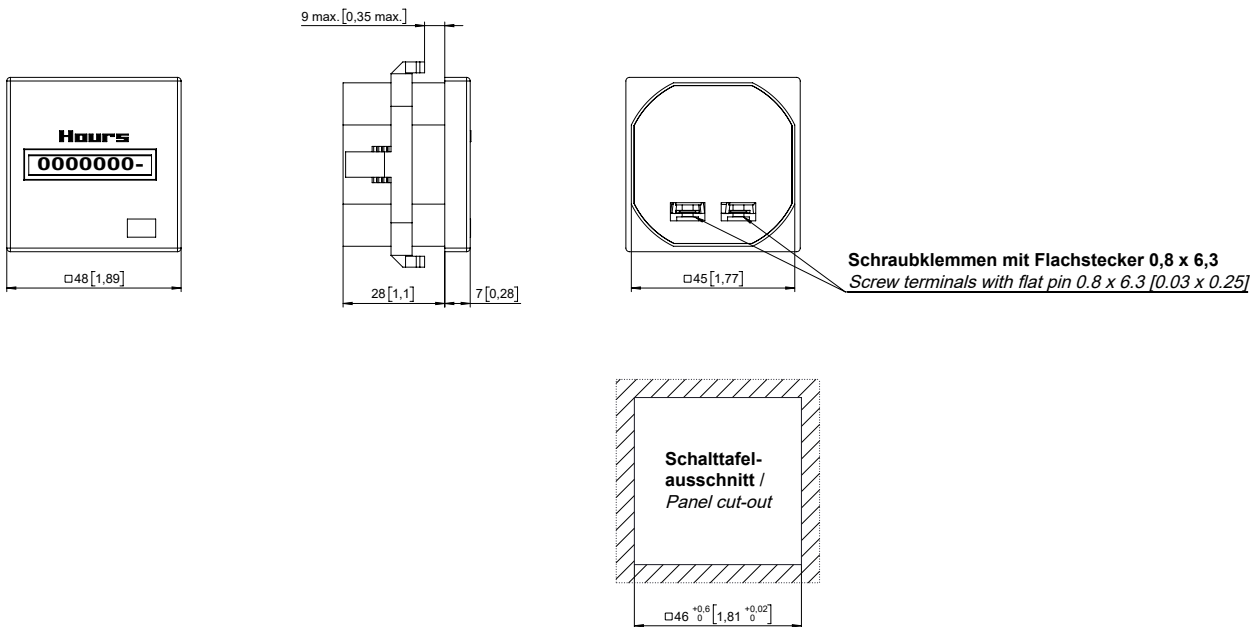
# Hour meters / timers, electromechanical

**Timers with DIN dimensions**    **DIN counter for panel mount / DIN rail housing, 48 x 48 mm**    **H57 / H57R / AH57**

Standard DIN timer  
clip mounting, on rear  
Type H57



Type	Display	Voltage	Order code.					
			10 ... 30 V	20 ... 30 V	42 ... 48 V	100 ... 130 V	187 ... 264 V	360 ... 440 V
<b>H57</b>	7 digits	AC (50 Hz)		3.220.401.071 <sup>1)</sup>	3.220.401.072	3.220.401.074 <sup>1)</sup>	3.220.401.075 <sup>1)</sup>	3.220.401.079
	7 digits	AC (60 Hz)		3.220.401.081 <sup>1)</sup>	3.220.401.082	3.220.401.084 <sup>1)</sup>	3.220.401.085	3.220.401.089
	8 digits	DC	3.220.401.351 <sup>1)</sup>			3.220.401.381		
Further stock types:			3.220.401.075.422 <sup>1)</sup> 3.220.401.085.422 <sup>1)</sup> 3.220.401.351.422 <sup>1)</sup> 3.220.400.075 <sup>1)</sup>					



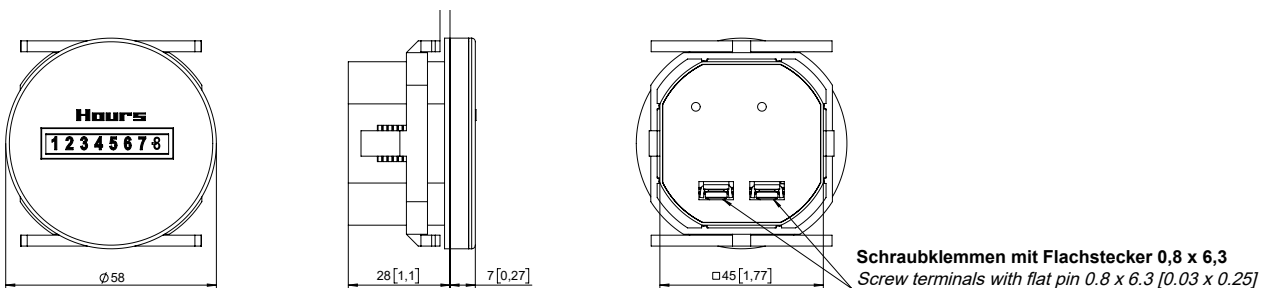
# Hour meters / timers, electromechanical

**Timers with DIN dimensions**    **DIN counter for panel mount / DIN rail housing, 48 x 48 mm**    **H57 / H57R / AH57**

Round timer  
clip mounting, on rear  
Type H57R



Type	Display	Voltage	Order code						
			10 ... 30 V	20 ... 30 V	42 ... 48 V	36 ... 80 V	100 ... 130 V	187 ... 264 V	360 ... 440 V
H57R	7 digits	AC (50 Hz)		3.224.401.071 <sup>1)</sup>	3.224.401.072		3.224.401.074 <sup>1)</sup>	3.224.401.075 <sup>1)</sup>	3.224.401.079
	7 digits	AC (60 Hz)		3.224.401.081 <sup>1)</sup>	3.224.401.082		3.224.401.084 <sup>1)</sup>	3.224.401.085	3.224.401.089
	8 digits	DC	3.224.401.351 <sup>1)</sup>			on request	3.224.401.381		



# Hour meters / timers, electromechanical

**Timers with DIN dimensions**    **DIN counter for panel mount / DIN rail housing, 48 x 48 mm**    **H57 / H57R / AH57**

Base mount timer  
 DIN rail mount 35 [1.38] acc. to DIN EN 50022  
 Type AH57



Type	Display	Voltage	Order code.					
			10 ... 30 V	20 ... 30 V	42 ... 48 V	100 ... 130 V	187 ... 264 V	360 ... 440 V
AH57	7 digits	AC (50 Hz)		3.223.401.071 <sup>1)</sup>	3.223.401.072	3.223.401.074 <sup>1)</sup>	3.223.401.075 <sup>1)</sup>	3.223.401.079
	7 digits	AC (60 Hz)		3.223.401.081	3.223.401.082	3.223.401.084	3.223.401.085	3.223.401.089
	8 digits	DC	3.223.401.351 <sup>1)</sup>			3.223.401.381		

